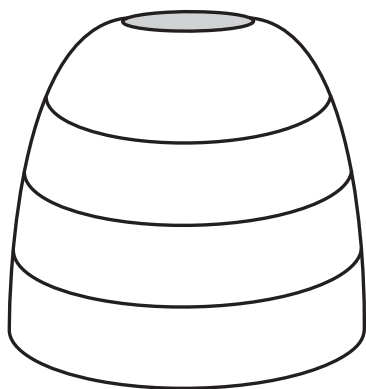


Barbie™ Doll Roses

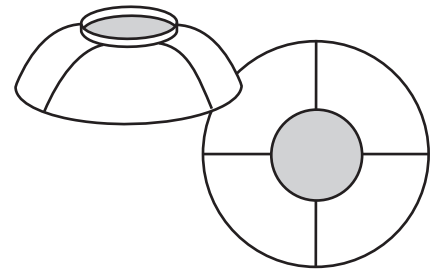
Signature Cake Cutting Instructions

Cutting Directions Serves 20-22:

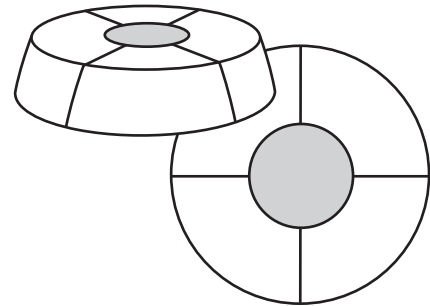
1. Remove plastic tube.
2. Start by cutting the top two layers (6" and 7") through the center into four equal pieces each. Serve - 8 pieces.
3. Next cut the bottom two layers (8" double) into 12-14 pieces. Serve double layer as individual servings. Serve - 12-14 pieces.



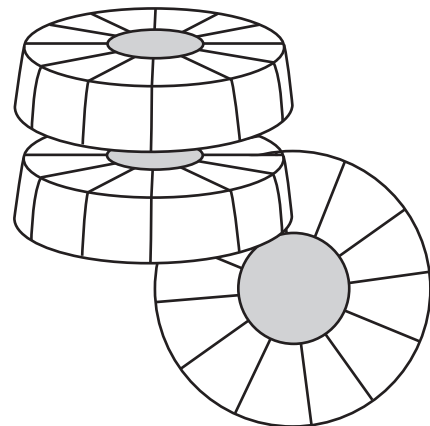
6" - 4 pieces



7" - 4 pieces



8" double - 12-14 pieces



DECOPAC

On Top of the World's Best Selling Cakes®