

Spider-Man™

Spin and Kick

Signature Cake Assembly Instructions

For building the Spider-Man™ Spin and Kick Signature Cake (see Spider-Man™ Decorating Card #3758 for reference), you will need:

- 2 - 1/4 Sheet Cake Layers
- 1 - 1/4 Sheet Cake Board

Assembly Directions (in detail):

- Cut one 1/4 sheet layer in half (Figure A).
- Place Section A on top of the the other 1/4 sheet layer with a thin layer of icing between the layers.
- Decorate cake as described on the Decorating Card.

Figure A

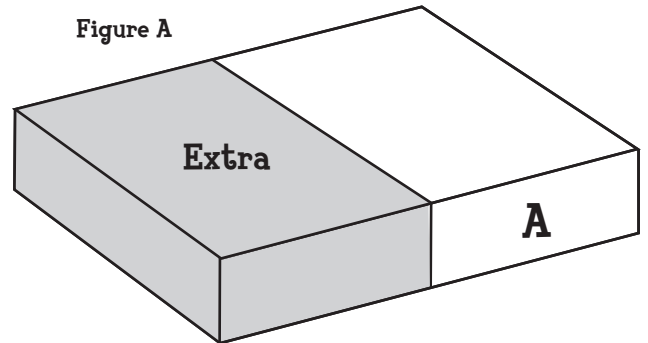
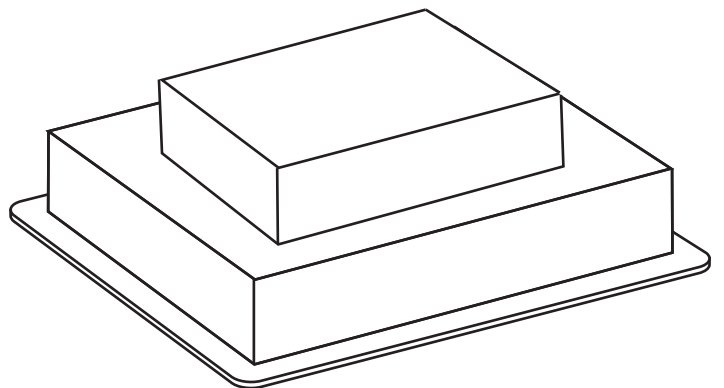
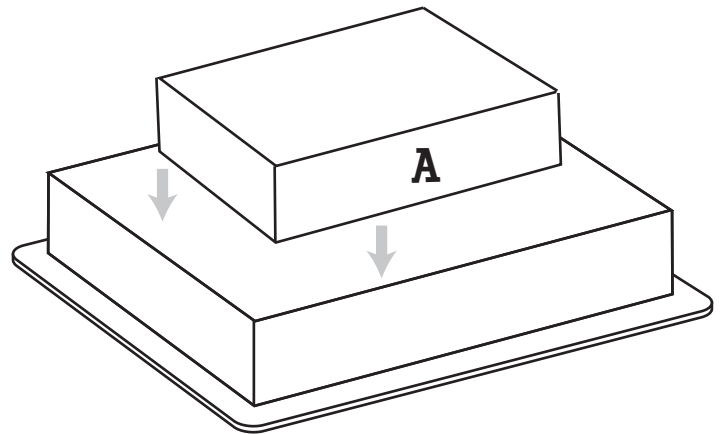


Figure B



DECOPAC

On Top of the World's Best Selling Cakes®